

THIS MANUAL MUST BE READ BEFORE INSTALLING THE PUMP AND SHALL BE LEFT WITH THE USER OF THE EQUIPMENT

PUMP PERFORMANCE

Pump Model:	Max. Capacity: (m ³ /h)	Max. Pressure: (m)	Power: (W)
C3LREN-S2	12	11	375
C5LREN-S2	13	12	450
C7LREN-5-S2	13	12	450
C7LREN-S2	17	12	600
C1LREN-5-S2	13	12	450
C1LREN-7-S2	17	12	600
C1LREN-S2	19	14	900
C15LREN-7-S2	17	12	600
C15LREN-1-S2	20	14	1000

IMPORTANT INSTALLATION REQUIREMENTS

- Install the pump in an area where flooding cannot occur.
- Attach the pump with screws to its supporting surface.
- The installation shall be done as such that easy access to the connection box is provided.
- The electrical installation shall be done by a competent electrician.
- The CLREN pump is supplied with a 3 m power supply cord and plug. Connect the plug to a grounded receptacle protected by an earth-leakage circuit breaker with a rated trip current not exceeding 30mA.
- The terminal box cover must be closed and tightened properly.

DO NOT USE AN EXTENSION CORD.

Caution: If the cord is damaged or appears to be damaged, replace it immediately with the same type of cord which is available from your local dealer. The new cord must be installed by a qualified electrician. Inspect the cord annually. Power supply for all CLREN pumps: 1~, 230V, 50Hz

GENERAL

This product has been carefully inspected and packed at our factory. As the carrier has assumed full responsibility for its safe arrival, any claim for damage to the shipment, either visible or concealed, must be made on the carrier. This is a self-priming pump, which means that it can raise water through a dry suction line without using valves, provided the pump case and strainer body are full of water before the motor is started. Nevertheless, we recommend the use of a swing check valve in the suction pipe, at or below water level, if the suction lift is more than 5 feet or if the dry suction line is more than 10 feet long. This arrangement makes the initial priming easy, and then keeps the suction pipe primed at all times.

INSTALLATION

CAUTION: Special installation requirements may exist for the installation of the pump at a swimming pool or pond. Check with your local authorities. The installation must comply with local codes.

LOCATION: Locate the pump as close to the pool as possible, preferably in a dry, shaded, and well-ventilated area. Install the pump at or below deck level. If this is not possible, choose the lowest possible elevation, but ensure that the pump is not exposed to any possible flooding. This simplifies priming, and adds to the pressure developed by the pump. Prepare a hard, level surface that is large enough to accommodate the pump and the associated equipment. Bear in mind the following: Drainage of the filter room or pit; Ventilation of the motor; Access for servicing and winterizing the equipment; and protection of the equipment from the elements.

PIPING: The pump connections have female 1-1/2" NPT threads. Keep the piping as simple as possible and keep as much of the suction pipe as possible below the water level of the pool because this will reduce the priming time. Arrange the pipe to rise continuously toward the pump to prevent high spots that could form air pockets. For convenient servicing of the equipment, install gate valves in the pump suction and pool return lines close to the pump system. These valves are recommended if the equipment is installed below deck. Keep the gate valve in the suction line fully open during operation. Take care during installation to keep the pipes clean and make sure that the suction system is absolutely airtight. Only Teflon tape should be used when connecting the pipes to the pump.

ELECTRICAL CONNECTIONS: Check that the information on the name plate of the electric motor corresponds to the power supply. Employ a competent electrician to do the wiring installation. **Install an easily accessible on/off switch to turn the pump on and off. CLREN pumps are complete with a 3 m grounded power cord and must be connected to a grounded receptacle protected by an earth-leakage circuit breaker with a rated trip current not exceeding 30mA.** **WARNING: DO NOT USE AN EXTENSION CORD! PROTECT THE CORD FROM ABUSE BUT DO NOT BURY IT.**

OPERATION

Note: Numbers in brackets refers to key number in Figure 1.

STARTING UP: If the pump is supplied as part of a complete filter system, follow the starting-up procedure described in the separate instructions for the complete filter system. In other cases, proceed as follows:

1. Close the gate valves in the suction and return lines. Remove the strainer cover (5) from the hair and lint strainer and fill the pump completely with water. Replace the cover.

CAUTION: Do not over-tighten the strainer RING-LOKTM (6); hand-tighten only.

DO NOT RUN THE PUMP WITHOUT WATER BECAUSE LACK OF WATER CAN DAMAGE THE SHAFT SEAL. FILL PUMP WITH WATER BEFORE STARTING.

2. Open the gate valves in the suction and return lines and start the pump. If the pump fails to produce a full flow of water within four or five minutes, switch off the power and repeat Step 1. If the pump still fails to work, check for air leaks at the strainer cover (5), suction line connections, and valve stem glands before repeating Step 1.

CAUTION: DO NOT OPERATE THE PUMP WITH CLOSED SUCTION OR DISCHARGE VALVES.

3. After about ten minutes of operation, check the pool return fittings for air bubbles. A continuous flow of air indicates leaks in the suction line. Locate and correct any leaks immediately.

CAUTION: DO NOT RE-TIGHTEN STRAINER RING-LOKTM (6) DURING OPERATION.

CONTROLLING THE OUTPUT: Keep the gate valve in the suction line fully open during operation. Should it be necessary to

control the output, use a valve in the return line.

CLEANING THE HAIR AND LINT STRAINER: Switch off the power. Close the valves in the suction and return lines. Unscrew strainer RING-LOKTM (6) counter clockwise and remove the strainer cover (5) from the hair and lint strainer and lift out the strainer basket (3). Clean and replace the basket. Take care to seat the basket properly. Clean the O-ring (4) and O-ring seats on the cover and strainer. Refit the cover and strainer RING-LOKTM (6), hand-tighten only, and open the valves. Put the pump back into operation.

DRAINING: Remove the two drain plugs (2). Note that the valves in the suction and return lines must be open to allow complete draining of the pump. Other provisions may be necessary for draining the filter, heater and pipe lines.

WARNING: DURING PERIODS WHEN THE PUMP IS NOT IN USE, AND ALWAYS DURING SERVICING, SWITCH THE ON/OFF SWITCH TO OFF AND PULL THE PLUG FROM THE RECEPTACLE.

TROUBLE SHOOTING

FOR SERVICING AND FOR ANY TROUBLE SHOOTING OF THE PUMP, CONTACT YOUR LOCAL DEALER.

MOTOR DOES NOT START: Disconnect switch or circuit breaker is in the OFF position; Fuses blown or thermal overload open; Locked motor shaft; Motor windings burned out; Defective starting switch inside motor; Disconnected or defective wiring.

MOTOR DOES NOT REACH FULL SPEED: Low voltage; Motor windings connected for wrong voltage.

MOTOR OVERHEATS (protector trips): Low voltage; Motor windings connected for wrong voltage; Inadequate ventilation.

PUMP DELIVERS NO WATER: Pump not primed; Closed valve in suction or discharge line; Leakage of air into suction system; Impeller plugged.

LOW PUMP CAPACITY: Valve in suction or discharge line partly closed; Suction or discharge line partly plugged; Suction or discharge line too small; Pump running at reduced speed (see above); Plugged basket in skimmer or hair in lint strainer; Dirty filter; Impeller plugged.

LOW PUMP PRESSURE: Pump running at reduced speed (see above); Discharge valve or inlet fittings opened too wide.

HIGH PUMP PRESSURE: Discharge valve or inlet fittings closed too much; Return lines too small; Dirty filter.

NOISY PUMP AND MOTOR: Plugged basket in skimmer or hair in lint strainer; Defective motor bearings; Valve in suction line partly closed; Suction line partly plugged; Vacuum cleaner hose plugged or too small; Pump not supported properly.

LEAKAGE OF WATER AT SHAFT: Shaft seal requires replacement.

AIR BUBBLES AT INLET FITTINGS: Suction line not fully open; Suction line not fully primed; Suction line not fully airtight.

COMPETITION POOL ACCESSORIES INC.
Limited Warranty

Competition pool accessories Inc. ("Competition") warrants "Competition" pool products to be free of defects in material and workmanship for a period of 36 months from the date of purchase or 48 months from the date of manufacture, whichever comes first, with the following exceptions:

Shaft Seals - For all pumps with the "Competition" patented "dry-run" heat sink, the shaft seal carries an unconditional warranty against damage or failure for 2 years from the date of purchase or installation.

Light Bulbs - FullMoon Watercolor LED light bulbs are warranted for 1 year from the date of purchase; incandescent bulbs are warranted for 90 days from the date of purchase.

Misc. - Filter elements, DE grids, white-goods, strainer baskets, strainer basket "flap" and "priming tube", pressure gauges, square rings, o-rings, gaskets, and all replacement parts are warranted for 1 year from the date of purchase.

In order to activate this 3-year warranty, "Competition" products must be registered with "Competition" by either of the following methods:

- Mail-in the Warranty Registration Card
- Online at www.competition-pool.com

This warranty extends only to the original retail purchaser and only during the time in which the original retail purchaser occupies the site where the product was originally installed. "Competition" warranty obligation with regard to equipment which it does not itself manufacture is limited to the warranty actually extended to "Competition" by its suppliers.

This warranty applies to products used in swimming pools, spas, & aquaculture applications only and does not apply to any product which has been subjected to negligence, alteration, accident, abuse, misuse, improper installation, abrasives, corrosion and/or electrolysis, improper voltage supply, vandalism, civil disturbances, or acts of God (including but not limited to damage caused by freezing, lightning strikes, and other damage caused by catastrophic events). The only warranties authorized by "Competition" are those set forth herein. "Competition" does not authorize other persons to extend any warranties with respect to its products, nor will "Competition" assume liability for any unauthorized warranties made in connection with the sale of its products. "Competition" will not be responsible for any statements that are made or published, written or oral, which are misleading or inconsistent with the facts as published in the literature or specifications furnished by "Competition".

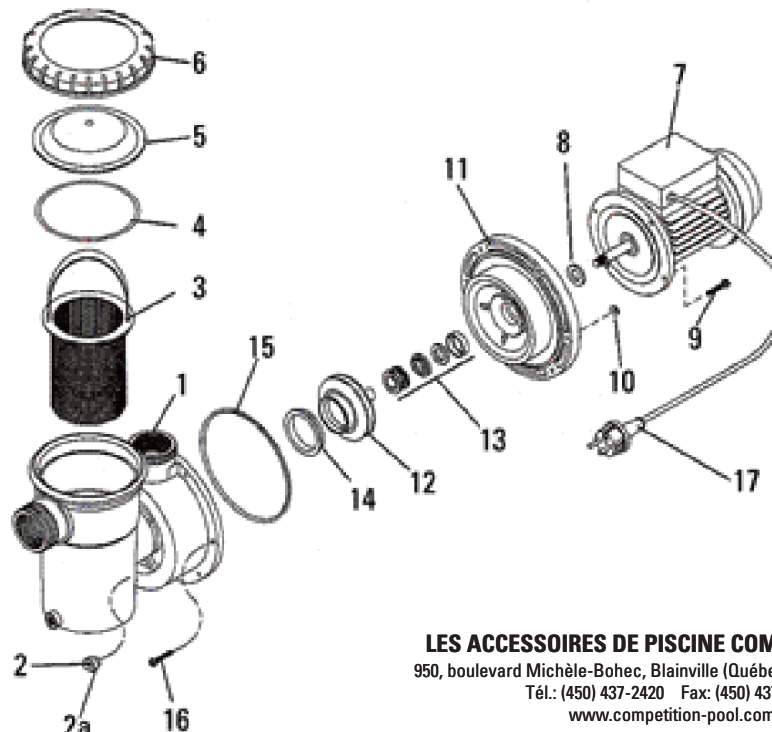
THIS WARRANTY IS EFFECTIVE January 1, 2007. ANY IMPLIED WARRANTIES WHICH THE PURCHASER MAY HAVE, INCLUDING MERCHANTABILITY AND FITNESS FOR A PARTICULAR PURPOSE, SHALL NOT EXTEND BEYOND THE APPLICABLE WARRANTY PERIOD. Some US states or Canadian provinces do not allow limitations on how long an implied warranty lasts, so the above limitation may not apply to you. **IN NO EVENT SHALL COMPETITION BE LIABLE FOR INCIDENTAL OR CONSEQUENTIAL DAMAGES.** Some US states or Canadian provinces do not allow the exclusion or limitation of incidental or consequential damages, so the above may not apply to you.

WARRANTY CLAIM PROCEDURE

Warranty claims shall be made by contacting the installer/seller, builder, dealer, or retailer (point of purchase) or the "Competition" pool products distributor in your area. All equipment must be inspected by a local "Competition" representative or at the factory before warranty is authorized. All charges or expenses for freight to and from the factory, removal and reinstallation of the products, or installation of a replacement product are the responsibility of the purchaser unless otherwise expressly authorized by "Competition". "Competition", at its discretion, may repair or replace free of charge (F.O.B. factory in Toronto, Ontario, or at the factory in Blainville) any product that proves defective within the warranty period, or it may issue credit in the amount of the invoice of the defective equipment in lieu of its repair or replacement. "Competition" reserves its right to substitute new or improved equipment on any replacements. The provisions of this additional written warranty are in addition to and not a modification of or subtraction from the statutory

FIGURE 1 - COMPONENTS

Key No.	Description
1	Strainer/Pump Body
2	Drain Plugs (2)
2a	Drain Plug Gaskets (2)
3	Strainer Basket
4	O-ring
5	Strainer Cover
6	Strainer Ring-lok
7	Motor
8	Flinger
9	Screws (4)
10	Hexagon Nuts (6)
11	Bracket
12	Impeller
13	Shaft Seal
14	Eye Seal
15	Gasket
16	Screws (6)
17	Power Cord



LES ACCESSOIRES DE PISCINE COMPETITION INC.
950, boulevard Michèle-Bohec, Blainville (Québec) CANADA J7C 5E2
Tél.: (450) 437-2420 Fax: (450) 437-4860
www.competition-pool.com